

Bronze Globe Valve



group: 1029 **category:** afsluiters **product line:** Pegler Globe Valve

The Pegler type 1029 Bronze globe valves are designed for isolating and restricting the flow of a fluid to pipework and equipment, they have rising stems and PTFE renewable disks. It is complete with female threaded connections and is available in sizes ½" to 2"

- P.T.F.E. renewable disk
- BS 21 Taper Thread
- Operating temperatures -10°C to 198°C
- Operating pressure PN32

applications

heating, steam, compressed air,
potable water

segments

industry , commercial building

approvals

no approvals available

assortment

code	size	weight	dimensions	packaging	gtin
110005	G1/4	0.2 kg	85x45x45 mm	bag (1 pce)	05013866013072
110007	G1/2	0.38 kg	115x25x55 mm	box (10 pce)	05013866001437
110008	G3/4	0.53 kg	115x25x65 mm	box (5 pce)	05013866001444
110009	G1	0.84 kg	145x30x80 mm	box (5 pce)	05013866001451
110010	G1 1/4	1.34 kg	165x30x90 mm	box (2 pce)	05013866001468
110011	G1 1/2	1.77 kg	190x30x100 mm	box (2 pce)	05013866001475
110012	G2	2.68 kg	235x105x195 mm	box (1 pce)	05013866001482
110006	G3/8	0.23 kg	90x15x50 mm	unpackaged (1 pce)	05013866013089

specifications - product info

item	Bronze Globe Valve
item number with gtin	1029
manufacturer	Aalberts integrated piping systems Ltd (Pegler)
weight	0.23 kg
dimensions	90x15x50 mm

specifications - characteristics

color	bronze
materials	bronze (EN CC499K)
finishing	none
shape	straight
connection type	G - female thread gas cylindrical (BSPP)
pressure rating (PN)	PN 32
sealing	PTFE

specifications - technical

max operating pressure liquid	32 bar
min. medium temperature	-10 °C
max medium temperature	100 °C
peak medium temperature	198 °C

specifications - general

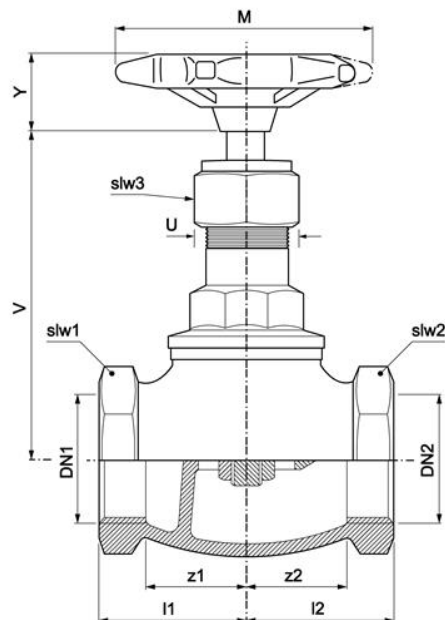
product group	valves (stop valves)
ETIM class	EC010120 Globe valve
HS code	84818079
brand	Pegler
series	Globe Valve
product type	1029
UNSPS	40141611

dimensions

code	size	d1	DN1	l1	z1	slw1	d2	DN2	l2	z2	slw2	M
110005	G1/4	29.0	1/4" (DN8)	24	17	29	29.0	1/4" (DN8)	24	17	29	70
110007	G1/2	29.0	1/2" (DN15)	29	19	29	29.0	1/2" (DN15)	29	19	29	70
110008	G3/4	36.0	3/4" (DN20)	33	22	36	36.0	3/4" (DN20)	33	22	36	70
110009	G1	42.0	1" (DN25)	39	27	42	42.0	1" (DN25)	39	27	42	85

code	size	d1	DN1	l1	z1	slw1	d2	DN2	l2	z2	slw2	M
110010	G1 1/4	51.0	1 1/4" (DN32)	45	30	51	51.0	1 1/4" (DN32)	45	30	51	85
110011	G1 1/2	57.0	1 1/2" (DN40)	50	35	57	57.0	1 1/2" (DN40)	50	35	57	105
110012	G2	72.0	2" (DN50)	61	47	72	72.0	2" (DN50)	61	47	72	105
110006	G3/8	29.0	3/8" (DN10)	23	15	29	29.0	3/8" (DN10)	23	15	29	70

code	size	H	Y	V	U	a
110005	G1/4	76	17	38	25	90
110007	G1/2	95	17	57	31	90
110008	G3/4	100	17	62	33	90
110009	G1	115	20	75	40	90
110010	G1 1/4	138	23	98	49	90
110011	G1 1/2	159	26	119	57	90
110012	G2	170	26	126	69	90
110006	G3/8	76	17	38	25	90



sustainability

code	carbon footprint (A-C) embodied carbon	data source
110005	1.5kgCO2e	TM65
110007	2.64kgCO2e	TM65
110008	3.58kgCO2e	TM65
110009	5.79kgCO2e	TM65
110010	8.88kgCO2e	TM65
110011	11.08kgCO2e	TM65
110012	17.2kgCO2e	TM65
110006	1.65kgCO2e	TM65

downloads

 [1029_Bronze_Globe_Valve - jpg](#)

 [Diagram - jpg](#)

 [Pegler Valve Installation Instructions - pdf](#)