

Pegler ProFlow testing point for 1260 / V955






group: 710TP category: afsluiters product line: Pegler ProFlow Static



Test points for needle connections

- For connection of Pegler ProFlow Flow meter
- spare part for 1260, PS1260, PP1260 and V955 commissioning valves
- pack of 5 sets, red and blue

applications

-  heating
-  cooling
-  potable water

segments

-  industry
-  commercial building

approvals

no approvals available

assortment

code	size	weight	dimensions	packaging	gtin
126041	R1/4"x36 (5 pack)	0.31 kg	170x40x120 mm	box (1 pce)	05022050217004
126042	R1/4"x75 (5 pack)	0.12 kg	170x60x120 mm	box (1 pce)	05022050217196

specifications - product info

item	Pegler ProFlow testing point for 1260 / V955
item number with gtin	710TP
manufacturer	Aalberts integrated piping systems Ltd (Pegler)
weight	0.12 kg
dimensions	170x60x120 mm

specifications - characteristics

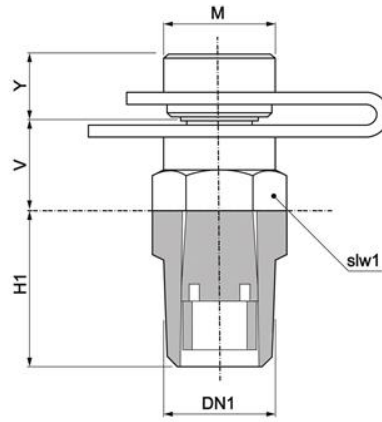
color	brass
materials	brass (CW602N (DZR))
finishing	none
shape	straight
connection type	R - male thread gas conical (BSPT)
pressure rating (PN)	PN 16
sealing	EPDM

specifications - general

product group	valves (static balancing valves, accessories (valves))
ETIM class	EC003024 Fitting with 2 connections
HS code	84818099
brand	Pegler
series	ProFlow Static
product type	710TP
UNSPS	40141609

dimensions

code	size	d1	DN1
126041	R1/4"x36 (5 pack)	13.5	1/4" (DN8)
126042	R1/4"x75 (5 pack)	13.5	1/4" (DN8)



sustainability

code	carbon footprint (A-C) embodied carbon	data source
126041	1.2kgCO ₂ e	TM65
126042	2.45kgCO ₂ e	TM65

downloads

[Test-Points - jpg](#)

[Diagram - jpg](#)