

Pegler Check valve swing type



group: 1060A **category:** afsluiters **product line:** Pegler Check Valve

Check valves in the Pegler Commercial range are designed for long trouble free service. All check valves are designed to prevent back flow of fluids in pipe lines and are self acting. They are used for low velocity services, especially liquids and infrequent change of direction in back flow prevention.

- PN25
- gunmetal
- type B according to EN13959:2004
- EN12288

applications

potable water, heating, steam, cooling, compressed air

segments

shipbuilding , industry , commercial building

approvals

no approvals available

assortment

code	size	weight	dimensions	packaging	gtin
122007	Rc1/2" (DN15)	0.4 kg	65x25x60 mm	unpackaged (1 pce)	05013866013836
122008	Rc3/4" (DN20)	0.61 kg	80x55x80 mm	bag (1 pce)	05013866013843
122009	Rc1" (DN25)	0.87 kg	90x40x85 mm	unpackaged (1 pce)	05013866013850
122010	Rc1 1/4" (DN32)	1.28 kg	110x40x100 mm	unpackaged (1 pce)	05013866013867
122011	Rc1 1/2" (DN40)	1.64 kg	110x70x110 mm	unpackaged (1 pce)	05013866013874
122012	Rc2" (DN50)	2.55 kg	170x95x130 mm	carton (1 pce)	05013866002922
122013	Rc2 1/2" (DN65)	3.52 kg	180x105x160 mm	carton (1 pce)	05013866002939
122014	Rc3" (DN80)	4.48 kg	235x105x195 mm	box (1 pce)	05013866002946
122015	Rc4" (DN100)	8.38 kg	210x120x210 mm	bag (1 pce)	05013866002953

specifications - product info

item	Pegler Check valve swing type
item number with gtin	1060A
manufacturer	Aalberts integrated piping systems Ltd (Pegler)
weight	8.38 kg
dimensions	210x120x210 mm

specifications - technical

max operating pressure liquid	25 bar
min. medium temperature	-10 °C
max medium temperature	180 °C
peak medium temperature	180 °C

dimensions

code	size	d1	DN1	l1	z1	slw1	d2	DN2	l2	z2	slw2	V
122007	Rc1/2" (DN15)	30.0	DN15	31	22	30	30.0	DN15	31	22	30	45
122008	Rc3/4" (DN20)	36.0	DN20	38	27	36	36.0	DN20	38	27	36	55
122009	Rc1" (DN25)	43.0	DN25	42	30	37	43.0	DN25	42	30	37	50

specifications - characteristics

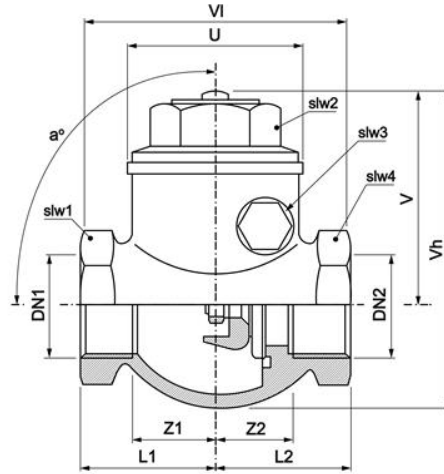
color	bronze
materials	bronze (EN CC499K)
finishing	none
shape	straight
connection type	Rc - female thread gas conical (BSPT)
pressure rating (PN)	PN 25
sealing	Metal sealing

specifications - general

product group	valves (check valves)
ETIM class	EC011469 Check valve
HS code	84813099
brand	Pegler
series	Check Valve
product type	1060A
UNSPS	40141634

code	size	d1	DN1	l1	z1	slw1	d2	DN2	l2	z2	slw2	V
122010	Rc1 1/4" (DN32)	52.0	DN32	47	34	45	52.0	DN32	47	34	45	65
122011	Rc1 1/2" (DN40)	62.0	DN40	47	33	54	62.0	DN40	47	33	54	65
122012	Rc2" (DN50)	75.0	DN50	63	44	65	75.0	DN50	63	44	65	90
122013	Rc2 1/2" (DN65)	95.0	DN65	74	53	82	95.0	DN65	74	53	82	111
122014	Rc3" (DN80)	114.0	DN80	88	62	99	114.0	DN80	88	62	99	125
122015	Rc4" (DN100)	140.0	DN100	111	79	121	140.0	DN100	111	79	121	130

code	size	U	a
122007	Rc1/2" (DN15)	32	90
122008	Rc3/4" (DN20)	38	90
122009	Rc1" (DN25)	45	90
122010	Rc1 1/4" (DN32)	54	90
122011	Rc1 1/2" (DN40)	64	90
122012	Rc2" (DN50)	77	90
122013	Rc2 1/2" (DN65)	97	90
122014	Rc3" (DN80)	116	90
122015	Rc4" (DN100)	142	90



sustainability

code	carbon footprint (A-C) embodied carbon	data source
122007	2.41kgCO ₂ e	TM65
122008	3.47kgCO ₂ e	TM65
122009	5.4kgCO ₂ e	TM65
122010	8.04kgCO ₂ e	TM65
122011	10.45kgCO ₂ e	TM65
122012	16.3kgCO ₂ e	TM65
122013	23.38kgCO ₂ e	TM65
122014	30.97kgCO ₂ e	TM65
122015	54.8kgCO ₂ e	TM65

downloads

[1060A - jpg](#)

[Diagram - jpg](#)

[Pegler Valve Installation Instructions - pdf](#)