

## Pegler Gate Valve (2 x female thread)



group: 10751PT category: afsluiters product line: Pegler Gate Valve

Pegler Valve type 10751PT is a bronze full way gate valve these valves have non-rising internal threaded stems and use a wheel handle making them easy to operate, this valve has female Parallel threaded connections and is available in sizes ½" to 3"

- Operating Temperature Between -10°C and 180°C
- PN20 pressure rated
- Compact design

### applications

steam, potable water, heating, cooling

### segments

industry , commercial building

### approvals

WRAS , NSF

### assortment

code	size	weight	dimensions	packaging	gtin
101070	G1/2 (Blue)	0.26 kg	99x60x60 mm	box (10 pce)	05022050412904
101071	G3/4 (Blue)	0.35 kg	107x60x60 mm	box (10 pce)	05022050412997
101072	G1 (Blue)	0.52 kg	126x69x69 mm	box (10 pce)	05022050413048
101073	G1 1/4 (Blue)	0.77 kg	147x75x75 mm	box (4 pce)	05022050413062
101074	G1 1/2 (Blue)	1.07 kg	171x95x95 mm	box (4 pce)	05022050413086
101075	G2 (Blue)	1.72 kg	200x104x104 mm	box (2 pce)	05022050413109
101076	G2 1/2 (Blue)	2.98 kg	244x120x120 mm	box (1 pce)	05022050411754
101077	G3 (Blue)	4.82 kg	277x155x155 mm	box (1 pce)	05022050411778
10110	G1/2 (Red)	0.26 kg	99x60x60 mm	-	05022050525208
10111	G3/4 (Red)	0.35 kg	107x60x60 mm	-	05022050526526
10112	G1 (Red)	0.52 kg	126x69x69 mm	-	05022050526540
10113	G1 1/4 (Red)	0.78 kg	147x75x75 mm	-	05022050526564
10114	G1 1/2 (Red)	1.11 kg	171x95x95 mm	-	05022050526588
10115	G2 (Red)	1.66 kg	200x104x104 mm	-	05022050526601
10116	G2 1/2 (Red)	2.84 kg	244x120x120 mm	-	05022050525260
10117	G3 (Red)	4.8 kg	277x155x155 mm	-	05022050525277

### specifications - product info

<b>item</b>	Pegler Gate Valve (2 x female thread)
<b>item number with gtin</b>	1075IPT
<b>manufacturer</b>	Aalberts integrated piping systems Ltd (Pegler)
<b>weight</b>	4.8 kg
<b>dimensions</b>	277x155x155 mm

### specifications - technical

<b>max operating pressure liquid</b>	20 bar
<b>min. medium temperature</b>	-10 °C
<b>max medium temperature</b>	180 °C
<b>peak medium temperature</b>	180 °C

### dimensions

code	size	d1	DN1	l1	z1	slw1	d2	DN2	l2	z2	slw2	M
101070	G1/2 (Blue)	27.0	1/2" (DN15)	22	12	27	27.0	1/2" (DN15)	22	12	27	60
101071	G3/4 (Blue)	32.0	3/4" (DN20)	25	11	33	32.0	3/4" (DN20)	25	11	33	60
101072	G1 (Blue)	40.0	1" (DN25)	27	12	40	40.0	1" (DN25)	27	12	40	69
101073	G1 1/4 (Blue)	50.0	1 1/4" (DN32)	31	14	50	50.0	1 1/4" (DN32)	31	14	50	75

### specifications - characteristics

<b>color</b>	bronze
<b>materials</b>	bronze (EN CC491K)
<b>finishing</b>	none
<b>shape</b>	straight
<b>connection type</b>	G - female thread gas cylindrical (BSPP)
<b>pressure rating (PN)</b>	PN 20
<b>sealing</b>	PTFE

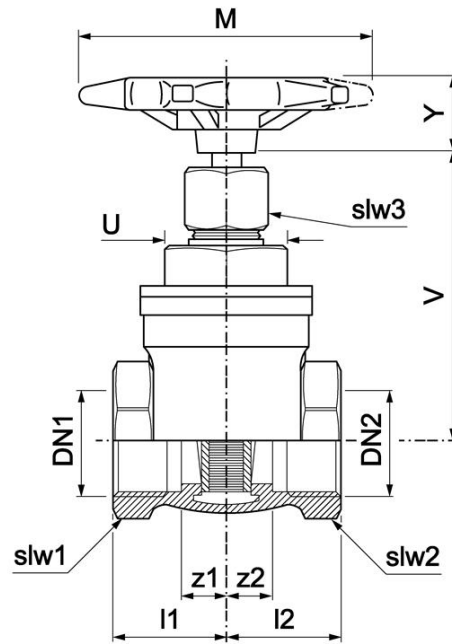
### specifications - general

<b>product group</b>	valves (gate valves)
<b>ETIM class</b>	<b>EC010163 Gate valve</b>
<b>brand</b>	Pegler
<b>series</b>	Gate Valve
<b>product type</b>	1075IPT
<b>UNSPS</b>	40141613

code	size	d1	DN1	l1	z1	slw1	d2	DN2	l2	z2	slw2	M
101074	G1	56.0	1	33	18	56	56.0	1	33	18	56	95
	1/2		1/2"	1/2"								
	(Blue)		(DN40)	(DN40)								
101075	G2	68.0	2"	38	17	67	68.0	2"	38	17	67	104
	(Blue)		(DN50)	(DN50)								
101076	G2	96.0	2	44	21	85	96.0	2	44	21	85	120
	1/2		1/2"	1/2"								
	(Blue)		(DN65)	(DN65)								
101077	G3	115.0	3"	53	26	98	115.0	3"	53	26	98	155
	(Blue)		(DN80)	(DN80)								
10110	G1/2	27.0	1/2"	22	12	27	27.0	1/2"	22	12	27	60
	(Red)		(DN15)	(DN15)								
10111	G3/4	32.0	3/4"	25	11	33	32.0	3/4"	25	11	33	60
	(Red)		(DN20)	(DN20)								
10112	G1	40.0	1"	27	12	40	40.0	1"	27	12	40	69
	(Red)		(DN25)	(DN25)								
10113	G1	50.0	1	31	14	50	50.0	1	31	14	50	75
	1/4		1/4"	1/4"								
	(Red)		(DN32)	(DN32)								
10114	G1	56.0	1	33	18	56	56.0	1	33	18	56	95
	1/2		1/2"	1/2"								
	(Red)		(DN40)	(DN40)								
10115	G2	68.0	2"	38	17	67	68.0	2"	38	17	67	104
	(Red)		(DN50)	(DN50)								
10116	G2	96.0	2	44	21	85	96.0	2	44	21	85	120
	1/2		1/2"	1/2"								
	(Red)		(DN65)	(DN65)								
10117	G3	115.0	3"	53	26	98	115.0	3"	53	26	98	155
	(Red)		(DN80)	(DN80)								


code	size	Y	V	U	a
101070	G1/2	18	60	19	90
	(Blue)				

code	size	Y	V	U	a
101071	G3/4 (Blue)	18	70	25	90
101072	G1 (Blue)	21	82	24	90
101073	G1 1/4 (Blue)	21	98	35	90
101074	G1 1/2 (Blue)	26	113	38	90
101075	G2 (Blue)	29	137	48	90
101076	G2 1/2 (Blue)	32	163	65	90
101077	G3 (Blue)	38	183	72	90
10110	G1/2 (Red)	18	60	19	90
10111	G3/4 (Red)	18	70	25	90
10112	G1 (Red)	21	82	24	90
10113	G1 1/4 (Red)	21	98	35	90
10114	G1 1/2 (Red)	26	113	38	90
10115	G2 (Red)	29	137	48	90
10116	G2 1/2 (Red)	32	163	65	90
10117	G3 (Red)	38	183	72	90



## sustainability

code	carbon footprint (A-C) embodied carbon	data source
101070	2.08kgCO <sub>2</sub> e	TM65
101071	2.64kgCO <sub>2</sub> e	TM65
101072	3.88kgCO <sub>2</sub> e	TM65
101073	5.73kgCO <sub>2</sub> e	TM65
101074	8.29kgCO <sub>2</sub> e	TM65
101075	12.37kgCO <sub>2</sub> e	TM65
101076	21.89kgCO <sub>2</sub> e	TM65
101077	35.32kgCO <sub>2</sub> e	TM65
10110	2.08kgCO <sub>2</sub> e	TM65
10111	2.64kgCO <sub>2</sub> e	TM65
10112	3.88kgCO <sub>2</sub> e	TM65
10113	5.73kgCO <sub>2</sub> e	TM65
10114	8.29kgCO <sub>2</sub> e	TM65
10115	12.37kgCO <sub>2</sub> e	TM65
10116	21.89kgCO <sub>2</sub> e	TM65
10117	35.14kgCO <sub>2</sub> e	TM65

 10751 B and R - png

 10751\_p.jpg - jpg

 10751%20PN20\_d.jpg - jpg

 Diagram - jpg

 10751\_blue.jpg - jpg