

# Pegler Gate Valve



**group:** V850    **category:** afsluiters    **product line:** Pegler Gate Valve

Pegler Valve type V850 is a Flanged Ductile Iron Gate Valve these valves have non-rising internal threaded stems and use a wheel handle making them easy to operate, it is available in sizes DN50 to DN300

- WRAS approved
- Flanged connection
- PN16 pressure rated
- Design Standard - BS 5163
- Side flange connection standard - BS EN 1092-2
- Testing standard - BS EN 12266
- Face to face standard - BS EN 558-1

## applications

steam, potable water, heating,  
cooling

## segments

industry , commercial building

## approvals

WRAS

## assortment

code	size	weight	dimensions	packaging	gtin
112150	DN50	13 kg	165x178x293 mm	unpackaged (1 pce)	05022050437006
112151	DN65	17 kg	185x190x348 mm	unpackaged (1 pce)	05022050437396
112152	DN80	19 kg	200x203x380 mm	unpackaged (1 pce)	05022050437556
112153	DN100	25 kg	220x229x415 mm	unpackaged (1 pce)	05022050437716
112154	DN125	34 kg	250x254x505 mm	unpackaged (1 pce)	05022050437877
112155	DN150	40 kg	285x267x560 mm	unpackaged (1 pce)	05022050438034
112156	DN200	68 kg	340x292x695 mm	unpackaged (1 pce)	05022050438195
112157	DN250	101 kg	405x330x824 mm	unpackaged (1 pce)	05022050438423
112158	DN300	137 kg	405x356x937 mm	unpackaged (1 pce)	05022050438584

### specifications - product info

item	Pegler Gate Valve
item number with gtin	V850
manufacturer	Aalberts integrated piping systems Ltd (Pegler)
weight	137 kg
dimensions	405x356x937 mm

### specifications - characteristics

color	blue
materials	cast iron (Cast iron EN-GJS-450-10)
finishing	powder
shape	straight
connection type	flange
pressure rating (PN)	PN 16
sealing	EPDM

### specifications - technical

max operating pressure liquid	16 bar
max medium temperature	80 °C
peak medium temperature	80 °C

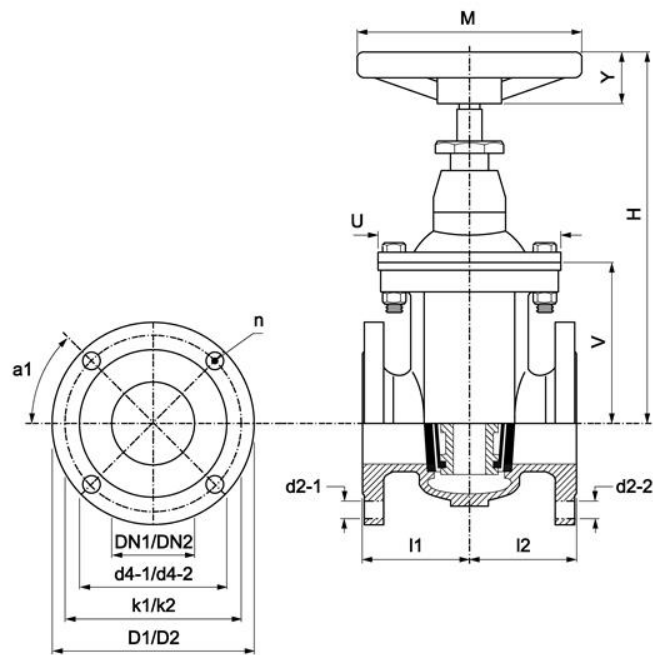
### specifications - general

product group	valves (gate valves)
ETIM class	<b>EC010163 Gate valve</b>
brand	Pegler
series	Gate Valve
product type	V850
UNSPS	40141613

### dimensions

code	size	d1	DN1	l1	z1	d2	DN2	l2	z2	n2	k2	b2
112150	DN50	60.0	DN50	85	85	60.0	DN50	85	85	4	125	19
112151	DN65	76.0	DN65	93	93	76.0	DN65	93	93	4	145	19
112152	DN80	88.0	DN80	100	100	88.0	DN80	100	100	8	160	19
112153	DN100	114.0	DN100	115	115	114.0	DN100	115	115	8	180	19
112154	DN125	139.0	DN125	120	120	139.0	DN125	120	120	8	210	19
112155	DN150	168.0	DN150	135	135	168.0	DN150	135	135	8	240	19
112156	DN200	219.0	DN200	148	148	219.0	DN200	148	148	12	295	20
112157	DN250	273.0	DN250	168	168	273.0	DN250	168	168	12	355	22
112158	DN300	323.0	DN300	178	178	323.0	DN300	178	178	12	410	24

code	size	d2-2	D2	M	H	Y	V	U	D1	a
112150	DN50	18	165	159	193	42	151	96	165	90
112151	DN65	18	185	200	221	46	175	100	180	90
112152	DN80	18	200	200	257	48	209	112	200	90
112153	DN100	18	220	200	295	52	243	120	215	90
112154	DN125	18	250	250	339	59	280	125	250	90
112155	DN150	22	285	250	381	59	326	130	285	90
112156	DN200	22	340	320	490	59	431	160	350	90
112157	DN250	26	405	370	563	59	504	170	400	90
112158	DN300	26	460	390	638	73	565	190	456	90



## sustainability

code	carbon footprint (A-C) embodied carbon	data source
112150	53.52kgCO <sub>2</sub> e	TM65
112151	68.69kgCO <sub>2</sub> e	TM65
112152	78.47kgCO <sub>2</sub> e	TM65
112153	100.91kgCO <sub>2</sub> e	TM65

code	carbon footprint (A-C) embodied carbon	data source
112154	134.25kgCO <sub>2</sub> e	TM65
112155	156.67kgCO <sub>2</sub> e	TM65
112156	256.35kgCO <sub>2</sub> e	TM65
112157	372.57kgCO <sub>2</sub> e	TM65
112158	502.02kgCO <sub>2</sub> e	TM65

downloads

 [V850 - jpg](#)

 [Diagram - jpg](#)