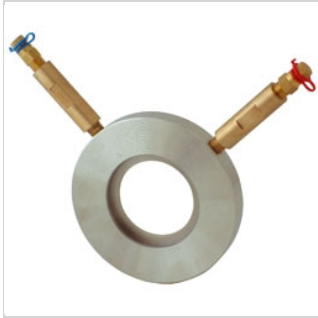


Metering station

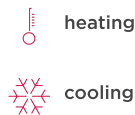


group: V953 **category:** afsluiters **product line:** Pegler ProFlow Static

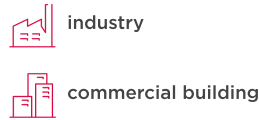
The Pegler Proflow V953 is a metering station too allow the measurement of the flow rate using a monometer/flowmeter and provides a fixed orifice too regulate the flow. It is designed to be use in series with the equivalent V952 Commissioning valve to enable a balancing, flow measurement and isolation solution. It is available in sizes DN50 too DN600.

- Stainless steel metering stations
- Fixed orifice
- Extended test points
- Flow direction indication on the valve edge
- PN16 rated Flanged to BSEN 1092-1 PN16.

applications



segments



approvals

no approvals available

assortment

code	size	weight	dimensions	packaging	gtin
15540	DN50	1.38 kg	165x20x160 mm	box (1 pce)	05022050216052
15541	DN65	1.85 kg	165x20x160 mm	box (1 pce)	05022050216151
15542	DN80	2.17 kg	180x20x174 mm	box (1 pce)	05022050216250
15543	DN100	2.28 kg	180x20x174 mm	box (1 pce)	05022050216366
15544	DN125	2.9 kg	210x20x200 mm	box (1 pce)	05022050216472
15545	DN150	3.3 kg	245x20x222 mm	box (1 pce)	05022050216571
15546	DN200	4.52 kg	300x20x280 mm	box (1 pce)	05022050216687
15547	DN250	5.78 kg	355x20x340 mm	box (1 pce)	05022050216793
15548	DN300	7.3 kg	410x30x395 mm	box (1 pce)	05022050216892
15549	DN350	12 kg	446x24x446 mm	box (1 pce)	05022050353962
15526	DN400	25.3 kg	498x24x498 mm	box (1 pce)	05022050353801
15527	DN450	26 kg	558x30x558 mm	box (1 pce)	05022050353849
15528	DN500	31 kg	620x30x620 mm	box (1 pce)	05022050353887
15529	DN600	38 kg	737x30x737 mm	box (1 pce)	05022050353924

specifications - product info

item	Metering station
item number with gtin	V953
manufacturer	Aalberts integrated piping systems Ltd (Pegler)
weight	38 kg
dimensions	737x30x737 mm

specifications - characteristics

color	stainless steel, blue
materials	stainless steel (Stainless steel 304 (1.4301))
finishing	none
shape	straight
connection type	wafer type
pressure rating (PN)	PN 16
sealing	EPDM

specifications - technical

max operating pressure liquid	16 bar
min. medium temperature	-10 °C
max medium temperature	105 °C
peak medium temperature	120 °C

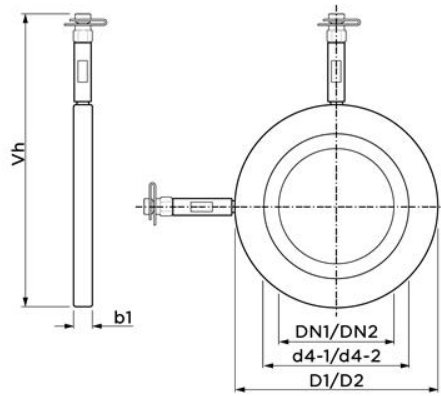
specifications - general

product group	valves (static balancing valves)
HS code	90261081
brand	Pegler
series	ProFlow Static
product type	V953
UNSPS	40141609

dimensions

code	size	DN1	I1	DN2	I2	H	D1
15540	DN50	DN50	10	DN50	10	148	109
15541	DN65	DN65	10	DN65	10	158	129
15542	DN80	DN80	10	DN80	10	166	144
15543	DN100	DN100	10	DN100	10	176	164
15544	DN125	DN125	10	DN125	10	191	194
15545	DN150	DN150	10	DN150	10	204	220
15546	DN200	DN200	10	DN200	10	232	275
15547	DN250	DN250	10	DN250	10	273	358

code	size	DN1	I1	DN2	I2	H	D1
15548	DN300	DN300	10	DN300	10	287	386
15549	DN350	DN350	12	DN350	12	317	446
15526	DN400	DN400	12	DN400	12	342	498
15527	DN450	DN450	15	DN450	15	373	558
15528	DN500	DN500	15	DN500	15	404	620
15529	DN600	DN600	15	DN600	15	463	737



sustainability

code	carbon footprint (A-C) embodied carbon	data source
15540	10.65kgCO ₂ e	TM65
15541	0.4kgCO ₂ e	TM65
15542	0.4kgCO ₂ e	TM65
15543	0.4kgCO ₂ e	TM65
15544	22.92kgCO ₂ e	TM65
15545	24.93kgCO ₂ e	TM65
15546	29.17kgCO ₂ e	TM65

code	carbon footprint (A-C) embodied carbon	data source
15547	30.88kgCO ₂ e	TM65
15548	46.35kgCO ₂ e	TM65
15549	82.78kgCO ₂ e	TM65
15526	96.17kgCO ₂ e	TM65
15527	183.91kgCO ₂ e	TM65
15528	222.58kgCO ₂ e	TM65
15529	301.4kgCO ₂ e	TM65

downloads

 [V953 - jpg](#)

 [Diagram - jpg](#)