

## Pegler Valve pressure reducing valve FF



**group:** PRV4PT    **category:** afsluiters    **product line:** Pegler Pressure Reducing Valve

The Pegler Type PRV4 PT is a Pressure reducing valve which is made from Nickel Plated Brass which is designed to reduce the pressure of the flow across the valve from a maximum of 25 Bar at the inlet to between 0.5-6 Bar at the outlet, this valve is complete with Female parallel threads to ISO 228/1 available in sizes ½" to 4".

- Pressuring Reduction: >25Bar to 1 - 6 Bar (adjustable)
- ISO 228/1 threads
- EN 1567:2000

### applications



### segments



### approvals



### assortment

code	size	weight	dimensions	packaging	gtin
5A2031	G1/2"	0.73 kg	145x85x70 mm	box (1 pce)	05022050264244
5A2032	G3/4"	1.12 kg	145x80x100 mm	box (1 pce)	05022050264367
5A2033	G1"	1.34 kg	155x80x100 mm	box (1 pce)	05022050264510
5A2034	G1 1/4"	2.26 kg	235x105x135 mm	box (1 pce)	05022050264633
5A2035	G1 1/2"	2.39 kg	235x105x135 mm	box (1 pce)	05022050264787
5A2036	G2"	3.6 kg	265x125x150 mm	box (1 pce)	05022050264923
5A2037	G2 1/2"	3.99 kg	265x125x150 mm	box (1 pce)	05022050265050
5A2038	G3"	5.62 kg	305x114x195 mm	box (1 pce)	05022050265210
5A2039	G4"	6.94 kg	360x140x205 mm	box (1 pce)	05022050265357

### specifications - product info

item	Pegler Valve pressure reducing valve FF
item number with gtin	PRV4PT
manufacturer	Aalberts integrated piping systems Ltd (Pegler)
weight	6.94 kg
dimensions	360x140x205 mm

### specifications - technical

max operating pressure liquid	25 bar
min. medium temperature	5 °C
max medium temperature	80 °C
peak medium temperature	80 °C

### dimensions

code	size	d1	DN1	l1	z1	slw1	d2	DN2	l2	z2	slw2	M
5A2031	G1/2"	32.0	1/2" (DN15)	39	28	28	32.0	1/2" (DN15)	39	28	28	23
5A2032	G3/4"	38.0	3/4" (DN20)	46	33	33	38.0	3/4" (DN20)	46	33	33	27
5A2033	G1"	45.0	1" (DN25)	46	33	39	45.0	1" (DN25)	46	33	39	27

### specifications - characteristics

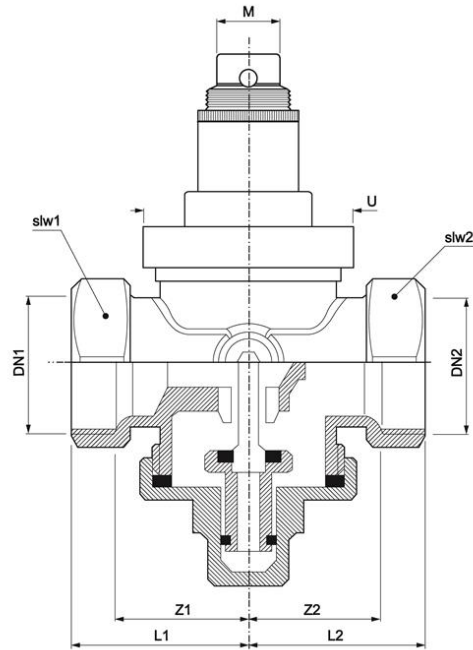
color	brass
materials	brass (CW617N)
finishing	nickel-plated
shape	straight
connection type	G - female thread gas cylindrical (BSPP)
pressure rating (PN)	PN 25
sealing	NBR (Nitrile)

### specifications - general

product group	valves (pressure reducing valves)
ETIM class	<b>EC010122 Pressure reducing valve</b>
HS code	84818099
brand	Pegler
series	Pressure Reducing Valve
product type	PRV4PT
UNSPS	40141652

code	size	d1	DN1	l1	z1	slw1	d2	DN2	l2	z2	slw2	M
5A2034	G1	54.0	1	58	41	47	54.0	1	58	41	47	35
	1/4"		1/4" (DN32)					1/4" (DN32)				
5A2035	G1	65.0	1	63	45	56	65.0	1	63	45	56	37
	1/2"		1/2" (DN40)					1/2" (DN40)				
5A2036	G2"	78.0	2"	71	51	68	78.0	2"	71	51	68	42
			(DN50)					(DN50)				
5A2037	G2	98.0	2	74	53	85	98.0	2	74	53	85	44
	1/2"		1/2" (DN65)					1/2" (DN65)				
5A2038	G3"	118.0	3"	74	53	102	118.0	3"	74	53	102	44
			(DN80)					(DN80)				
5A2039	G4"	144.0	4"	94	67	125	144.0	4"	94	67	125	56
			(DN100)					(DN100)				

code	size	H	U	a
5A2031	G1/2"	83	50	90
5A2032	G3/4"	99	59	90
5A2033	G1"	106	59	90
5A2034	G1	152	75	90
	1/4"			
5A2035	G1	153	81	90
	1/2"			
5A2036	G2"	171	91	90
5A2037	G2	185	95	90
	1/2"			
5A2038	G3"	201	96	90
5A2039	G4"	228	121	90



## sustainability

code	carbon footprint (A-C) embodied carbon	data source
5A2031	3.31kgCO <sub>2</sub> e	TM65
5A2032	5.06kgCO <sub>2</sub> e	TM65
5A2033	5.85kgCO <sub>2</sub> e	TM65
5A2034	9.73kgCO <sub>2</sub> e	TM65
5A2035	9.93kgCO <sub>2</sub> e	TM65
5A2036	14.12kgCO <sub>2</sub> e	TM65
5A2037	18.73kgCO <sub>2</sub> e	TM65
5A2038	25.78kgCO <sub>2</sub> e	TM65
5A2039	31.25kgCO <sub>2</sub> e	TM65

## downloads

[PRV4PT - jpg](#)

[Diagram - jpg](#)