

## Pegler ProFlow Static Balancing Valve

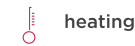


group: V952 category: afsluiters product line: Pegler ProFlow Static

The Pegler ProFlow V952 is a wide range commissioning valve with uses flanged connection technology, designed for the isolation and balancing of pipework and equipment in a HVAC and plumbing applications, the valve has the means too be double regulated and closed too a pre-selected value and set when commissioned, the valve can be used in series with a V953 measuring facility to be measured using manometer/flow meter too verify the flow rate enabling balancing, flow measurement and isolation solution by pairing the V952 with a V953 at its inlet. This valve is available in sizes DN65 too DN300.

- Ductile iron body with flanged ends
- non-rising stem
- Hand wheel and position indicator
- Double regulating feature
- PN16 rated
- Flanged to BSEN1092 - PN16.

### applications



heating



cooling

### segments



industry



commercial building

### approvals

no approvals available

### assortment

code	size	weight	dimensions	packaging	gtin
15531	DN65	17.7 kg	290x185x356 mm	unpackaged (1 pce)	05022050215437
15532	DN80	20 kg	310x200x368 mm	unpackaged (1 pce)	05022050215543
15533	DN100	29 kg	350x220x410 mm	unpackaged (1 pce)	05022050215659
15534	DN125	40 kg	400x250x453 mm	unpackaged (1 pce)	05022050215758
15535	DN150	52 kg	480x285x483 mm	unpackaged (1 pce)	05022050215833
15536	DN200	113 kg	600x340x695 mm	unpackaged (1 pce)	05022050215949
15537	DN250	185 kg	730x405x775 mm	unpackaged (1 pce)	05022050465726
15538	DN300	248 kg	850x460x916 mm	unpackaged (1 pce)	05022050465733

### specifications - product info

item	Pegler ProFlow Static Balancing Valve
item number with gtin	V952
manufacturer	Aalberts integrated piping systems Ltd (Pegler)
weight	248 kg
dimensions	850x460x916 mm

### specifications - technical

max operating pressure liquid	16 bar
min. medium temperature	-10 °C
peak medium temperature	120 °C

### dimensions

code	size	DN1	I1	DN2	I2	n2	k2	d2-2	D2	M	H	Y
15531	DN65	DN65	145	DN65	145	4	145	18	185	154	263	15
15532	DN80	DN80	155	DN80	155	8	160	18	200	173	268	15
15533	DN100	DN100	175	DN100	175	8	180	18	220	198	300	15
15534	DN125	DN125	200	DN125	200	8	210	18	250	229	328	15
15535	DN150	DN150	240	DN150	240	8	240	22	285	261	340	15
15536	DN200	DN200	300	DN200	300	12	295	22	340	324	525	15
15537	DN250	DN250	365	DN250	365	12	355	26	405	388	572	15
15538	DN300	DN300	425	DN300	425	12	410	26	460	451	686	15

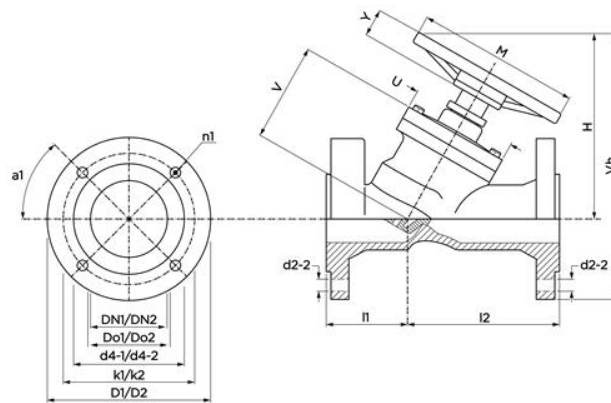
### specifications - characteristics

color	blue
materials	cast iron (Cast iron EN-GJS-450-10)
finishing	primer/paint
shape	straight
connection type	flange
pressure rating (PN)	PN 16
sealing	EPDM

### specifications - general

product group	valves (static balancing valves)
ETIM class	<b>EC011463 Regulating valve</b>
brand	Pegler
series	ProFlow Static
product type	V952
UNSPS	40141609

code	size	V	U	D1	a	b2
15531	DN65	153	124	185	45	-
15532	DN80	174	143	200	45	-
15533	DN100	203	168	220	45	-
15534	DN125	238	199	250	45	-
15535	DN150	274	231	285	45	-
15536	DN200	345	294	340	45	-
15537	DN250	417	358	405	45	25
15538	DN300	488	421	460	45	-



## sustainability

code	carbon footprint (A-C) embodied carbon	data source
15531	76.34kgCO2e	TM65
15532	93.4kgCO2e	TM65
15533	135.04kgCO2e	TM65
15534	194.76kgCO2e	TM65
15535	247.45kgCO2e	TM65
15536	509.93kgCO2e	TM65
15537	811.97kgCO2e	TM65

downloads

 V952 - png

 Diagram - jpg