

Pegler butterfly valve fully lugged lever operated PN16 (2x flange)




group: V905 category: afsluiters product line: Pegler Butterfly Valve

The Pegler brand has been a major force in valves for over 100 years and its range of Butterfly valves range of isolating and regulating valves confirm its commitment to the industry. Compact in design and slim in profile butterfly valves offer a low weight easy to operate lever handle valve solution in or hand wheel gear operation. The range is offered in both fully lugged and wafer semi lugged options.

- PN16
- lug type
- stainless steel disc and stems as standard
- grip handle
- WAFER type according EN593:2017
- face to face dimension according to EN558:2022
- Valve Connection to EN1092-2


applications

 potable water

 heating

 cooling

segments

 shipbuilding

 industry

 commercial building

approvals



assortment

code	size	weight	dimensions	packaging	gtin
15103	DN50	4.3 kg	346x46x270	-	-
15300	DN65	4.76 kg	355x49x293 mm	unpackaged (1 pce)	05022050035974
15301	DN80	5.31 kg	361x49x305 mm	bag (1 pce)	05022050040053
15302	DN100	7.73 kg	380x55x343 mm	unpackaged (1 pce)	05022050047007
15303	DN125	10.6 kg	393x59x369 mm	bag (1 pce)	05022050048028
15304	DN150	11.14 kg	467x59x394 mm	bag (1 pce)	05022050051967
15305	DN200	19.79 kg	561x64x467 mm	unpackaged (1 pce)	05022050055613

specifications - product info

item	Pegler butterfly valve fully lugged lever operated PN16 (2x flange)
item number with gtin	V905
manufacturer	Aalberts integrated piping systems Ltd (Pegler)
weight	19.79 kg
dimensions	561x64x467 mm

specifications - characteristics

color	blue
materials	cast iron (Cast iron EN-GJS-450-10)
finishing	primer/paint
shape	straight
connection type	flange
pressure rating (PN)	PN 16
sealing	EPDM

specifications - technical

max operating pressure liquid	16 bar
min. medium temperature	-10 °C
max medium temperature	110 °C
peak medium temperature	110 °C

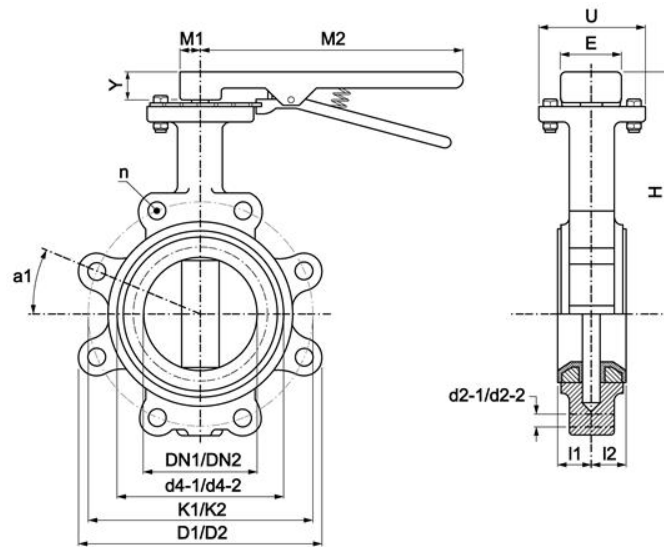
specifications - general

product group	valves (butterfly valves)
ETIM class	EC010910 Butterfly valve
HS code	84813091
brand	Pegler
series	Butterfly Valve
product type	V905
UNSPS	40141619

dimensions

code	size	d1	DN1	l1	d2	DN2	l2	n2	k2	b2	d2-2	D2
15103	DN50	60.3	DN50	23	60.3	DN50	23	4	125	46	18	165
15300	DN65	76.1	DN65	25	76.1	DN65	25	4	145	49	18	185
15301	DN80	88.9	DN80	25	88.9	DN80	25	8	160	49	18	200
15302	DN100	114.3	DN100	28	114.3	DN100	28	8	180	55	18	220
15303	DN125	139.7	DN125	30	139.7	DN125	30	8	210	59	18	250
15304	DN150	168.3	DN150	30	168.3	DN150	30	8	240	59	22	285
15305	DN200	219.1	DN200	32	219.1	DN200	32	12	295	64	22	340

code	size	M1	M2	E	H	h1	Y	V	U	D1	a
15103	DN50	20	266	28	190	4	29	161	77	155	90
15300	DN65	20	266	28	204	4	29	175	77	179	90
15301	DN80	20	266	28	210	4	29	181	77	190	90
15302	DN100	21	266	32	229	4	29	200	92	220	90
15303	DN125	21	266	32	242	4	29	213	92	254	90
15304	DN150	22	328	32	255	4	29	226	92	288	90
15305	DN200	35	386	50	292	4	32	260	125	339	90



sustainability

code	carbon footprint (A-C) embodied carbon	data source
15103	-	-
15300	24.02kgCO2e	TM65
15301	28.05kgCO2e	TM65
15302	41.22kgCO2e	TM65
15303	51.95kgCO2e	TM65
15304	59.46kgCO2e	TM65
15305	93.5kgCO2e	TM65

 V905_Butterfly_valve - jpg

 Diagram - jpg

 V905/SV905 series bolt torque specs - pdf